

Angle Iron

- 2"x2"x1/4" Bars
- 12ea.-10' Bars
- 4ea.-4' Bars
- 136 Lineal Ft.-Bars
- 3.19# Lineal/Foot
- 433.84# Each Plate

Wire

- 5/8 Innershield NR-311
- 8#-Each Plate

Nut

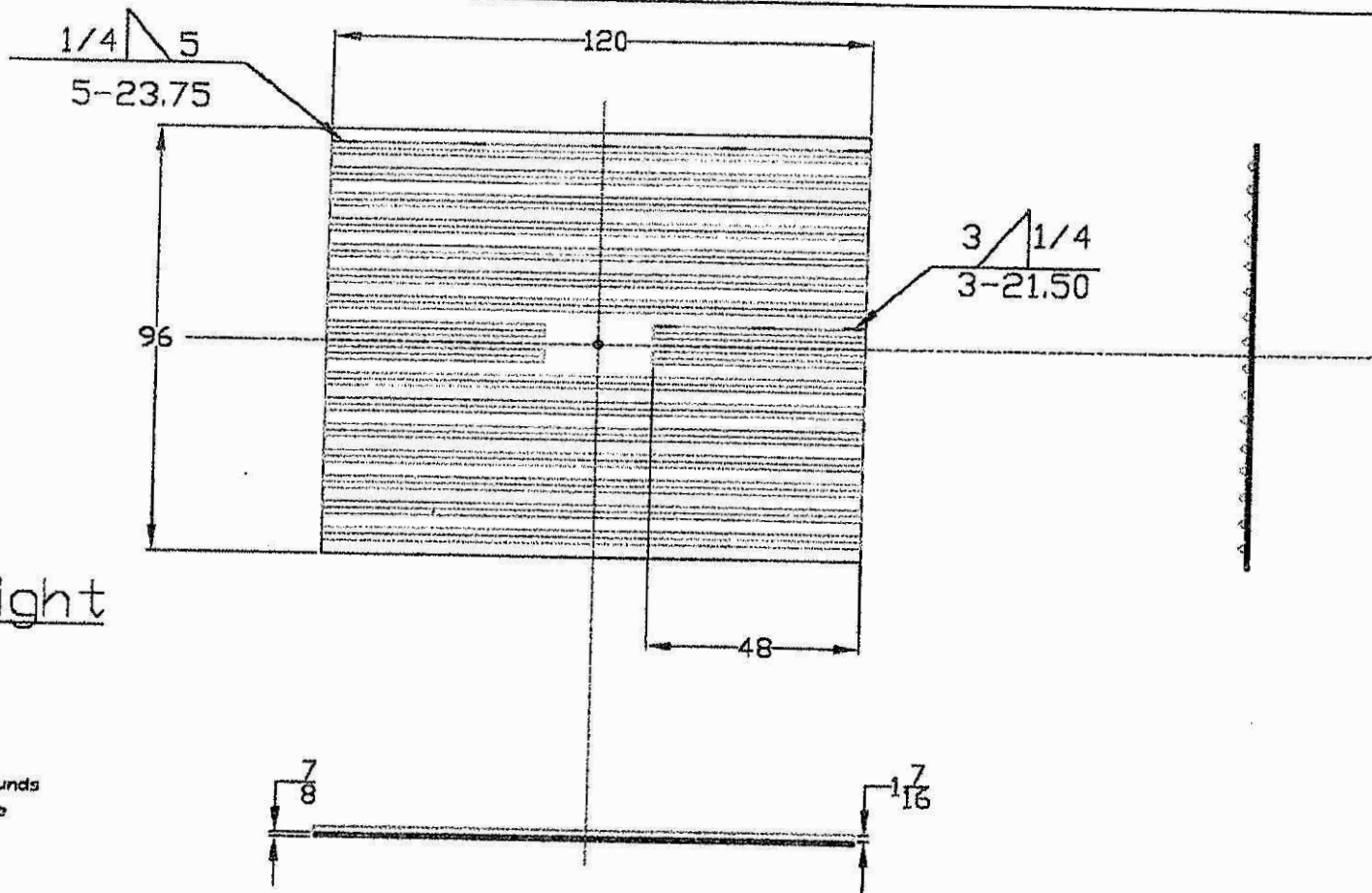
- 1ea.-Plate Center
- 1# Each Plate

Total Weight

Plate=	2858.8
Angle Iron=	433.84
Wire=	8.0
Nut=	1
3301.64 Total Pounds	
Per Plate	

Plate

- 8'x10'x3/8"
- 80Sq.Ft.
- 35.73#Sq.Ft.
- 2858.8# each plate



CONTRACTORS SERVICES, LLC LAKEWOOD, CA (562) 310-3017	C-S RUMBLE TRACK	DRAWING 78
		9-12-06

Distributed by:



www.aspent.com (800) 869-9600