

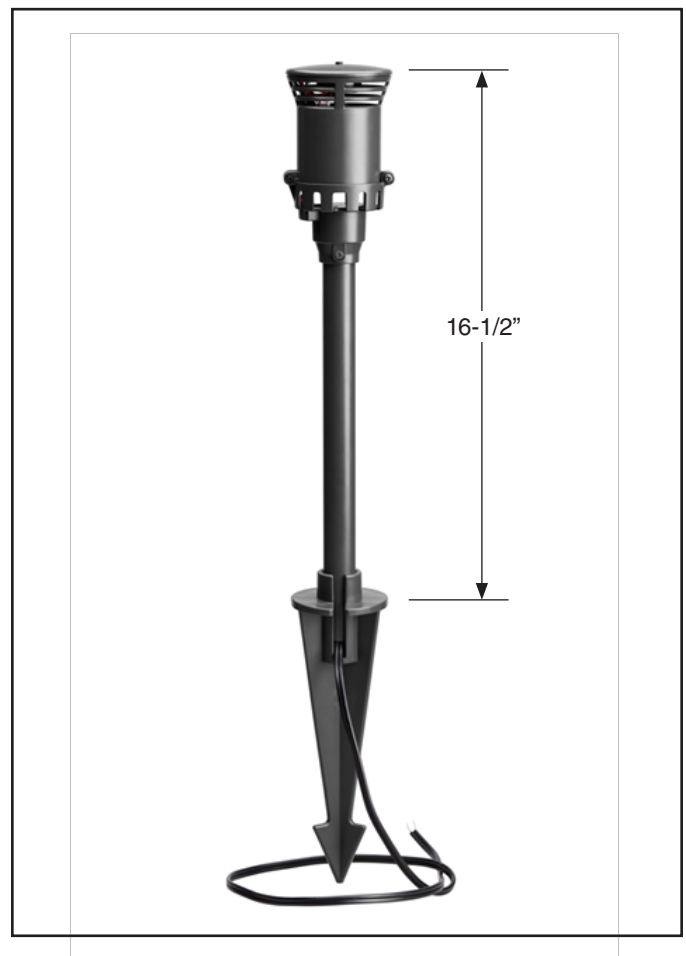
# haven™

## Mosquito Repellent System

### MODELS HVRFABL, HVRFABR

#### DESCRIPTION

- Mosquito Repellent Fixture
- Includes one 24 ml Haven Repellent cartridge and adaptor cap - which provides 216 hours of protection
- Powder-coated, cast aluminum housing
- Available in Black (BL) or Bronze (BR) finish
- Green LED indicator light on fixture glows when repellent system is on; flashes after 195 hours of use to indicate it is time to check and/or replace Repellent Cartridge
- 12" stem and 10" plastic ground stake included
- 18" length of 18-gauge SPT cable with tinned ends for easy insertion into cable connector
- One cable connector and adaptors for 12-16 gauge cable included
- Optional mounting flange available for railing or post mounting (HVPFBL or HVPFBR)
- Optional Timer/Controller available for automatic operation of Light and/or Repellent systems (HVDCT)
- EPA Registration Number 1021-2618-90291



#### SPECIFICATIONS

Transformer Output Voltage	Amperage	Hz	Wattage
12VAC	1.2 A	60	9.0 W
15VAC	1.0 A		

Broan-NuTone LLC Hartford, Wisconsin www.nutone.com 888-336-3948

REFERENCE	QTY.	REMARKS	Project	
			Location	
			Architect	
			Engineer	
			Contractor	
			Submitted by	Date